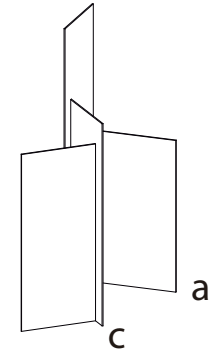
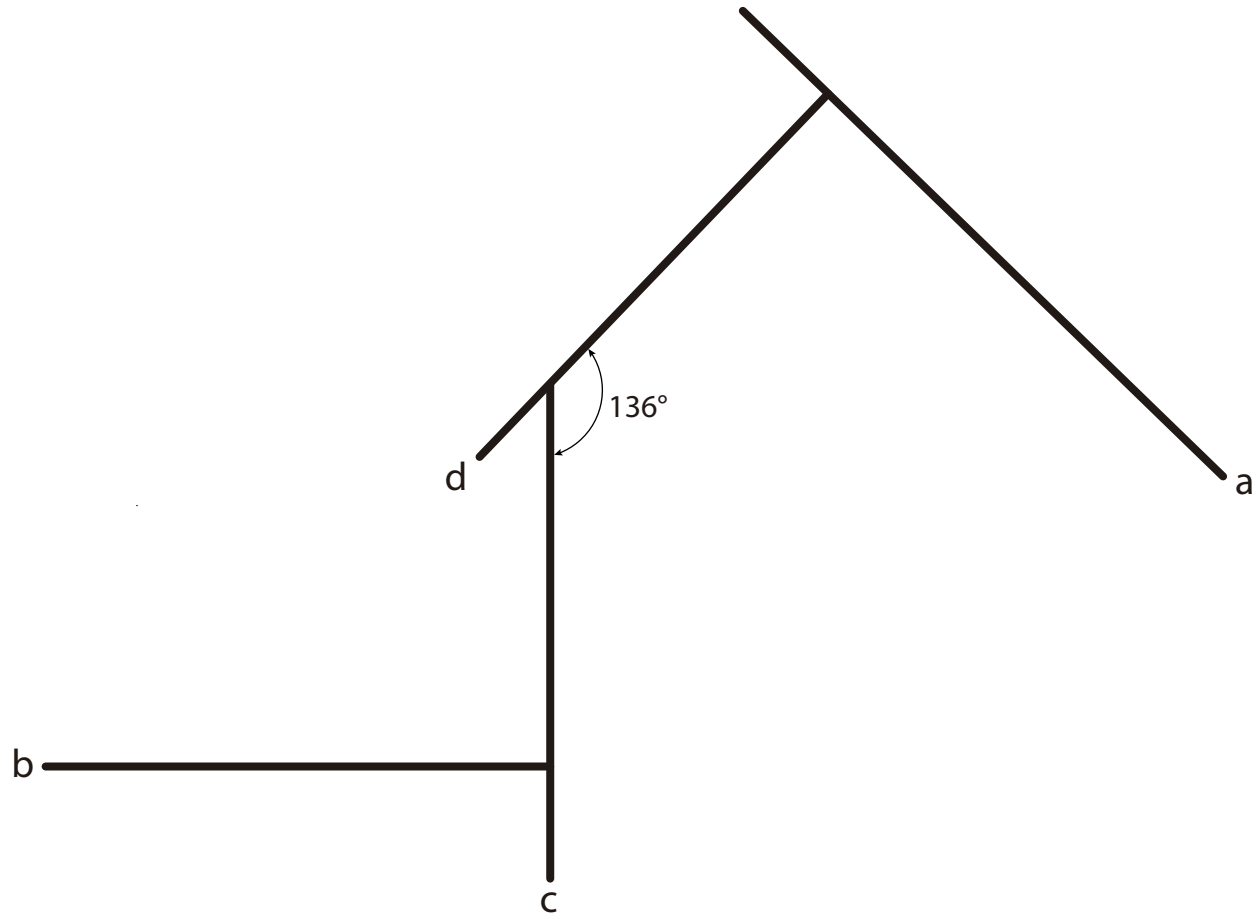


Omega (1975)  
Technical data

Scale: 1:25

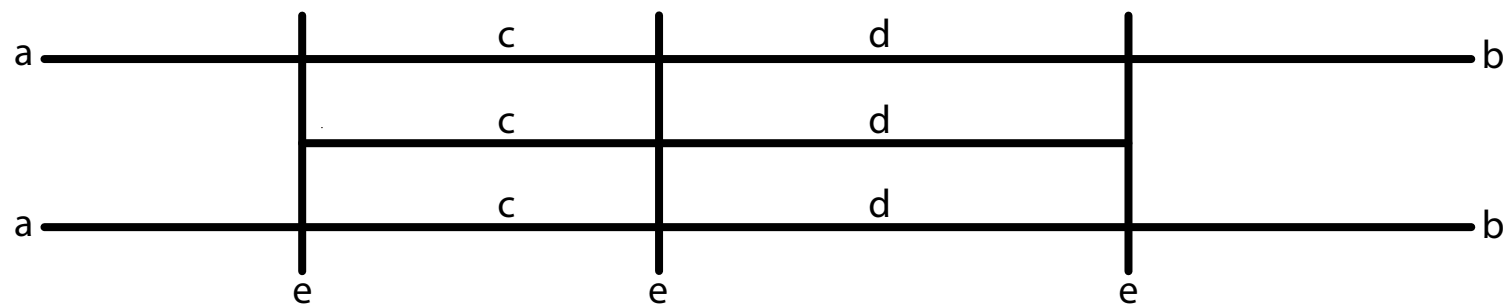
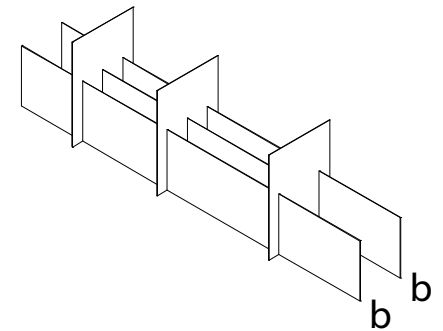
- a: 48" x 72"
- b: 54" x 180"
- c: 60" x 108"



Homage to R. C. Murphy (1976)  
Technical data

Scale: 1:20

a: 54" x 36"  
b: 63" x 27"  
c: 72" x 27"  
d: 120" x 27"



Scale: 1:20

a: 62" x 72" (x2)

b: 62" x 96" (x2)

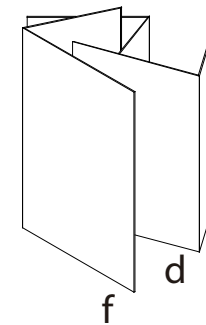
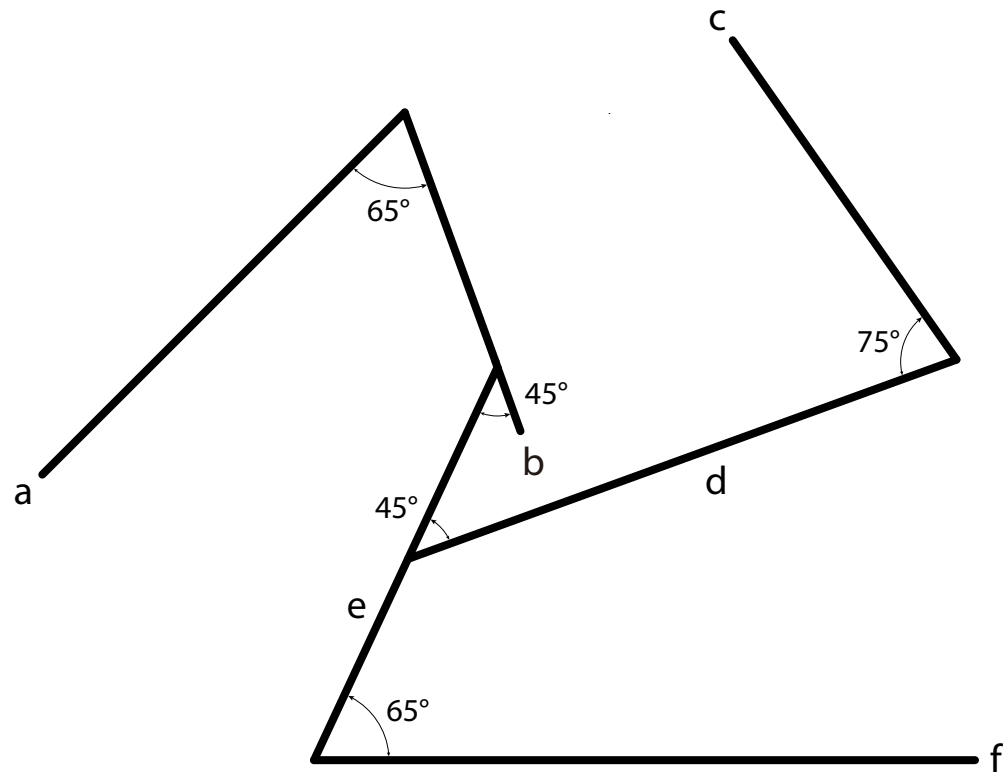
c: 62" x 100" (x3)

d: 62" x 132" (x3)

e: 108" x 72" (x3)

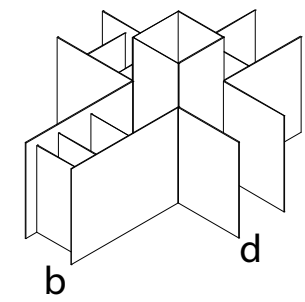
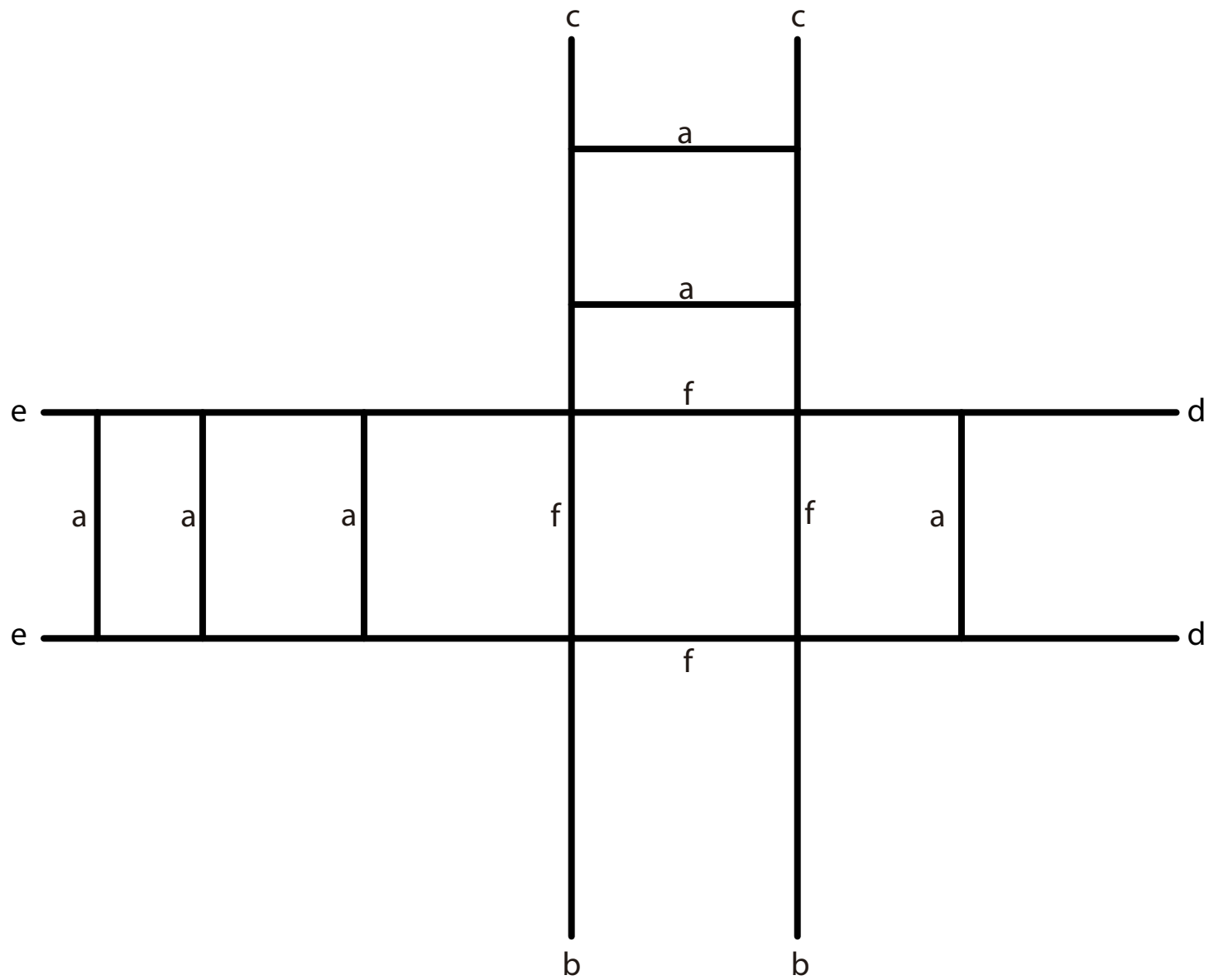
# Cloister, Crossing, Passageway, 1.32 (1978-79)

Technical data



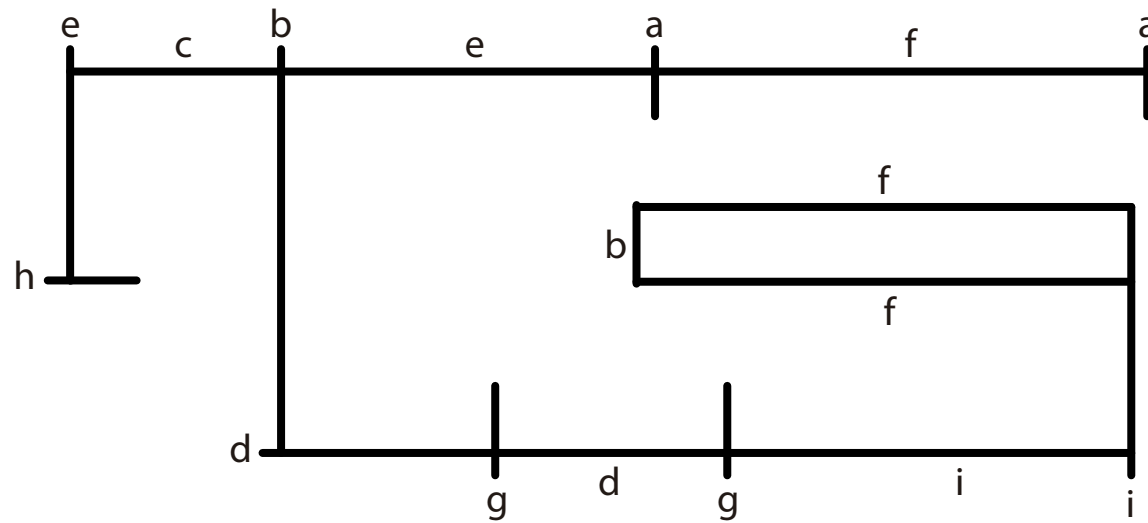
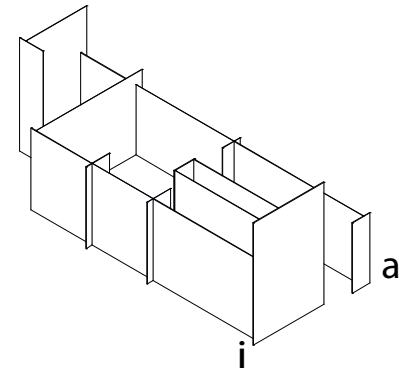
Scale: 1:20  
 a: 66" x 42"  
 b: 66" x 28"  
 c: 74" x 32"  
 d: 74" x 48"  
 e: 84" x 36"  
 f: 84" x 54"

Untitled (1980)  
 Technical data



- Scale: 1:25
- a: 36" x 60" (x6)
  - b: 48" x 66" (x2)
  - c: 60" x 66" (x3)
  - d: 61" x 66" (x2)
  - e: 85" x 66" (x2)
  - f: 36" x 96" (x4)

Shelter (1980)  
 Technical data

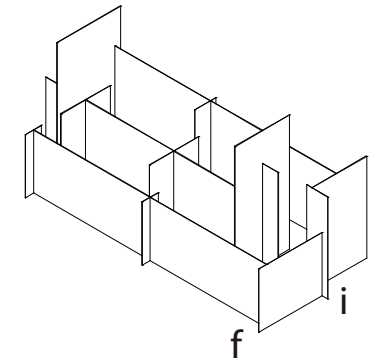
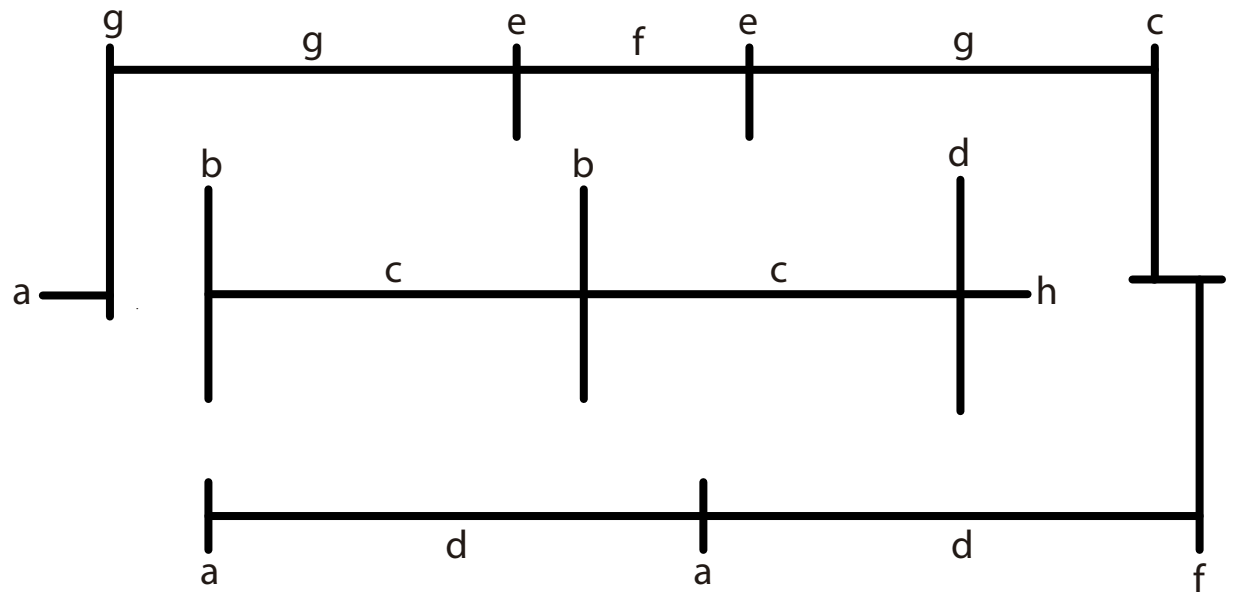


Scale: 1:50

- a: 62" x 18"
- b: 62" x 21"
- c: 62" x 56"
- d: 62" x 72"
- e: 62" x 100"
- f: 62" x 132"
- g: 72" x 24"
- h: 100" x 24"
- i: 108" x 72"

## The Map is Not the Territory (1983)

Technical data



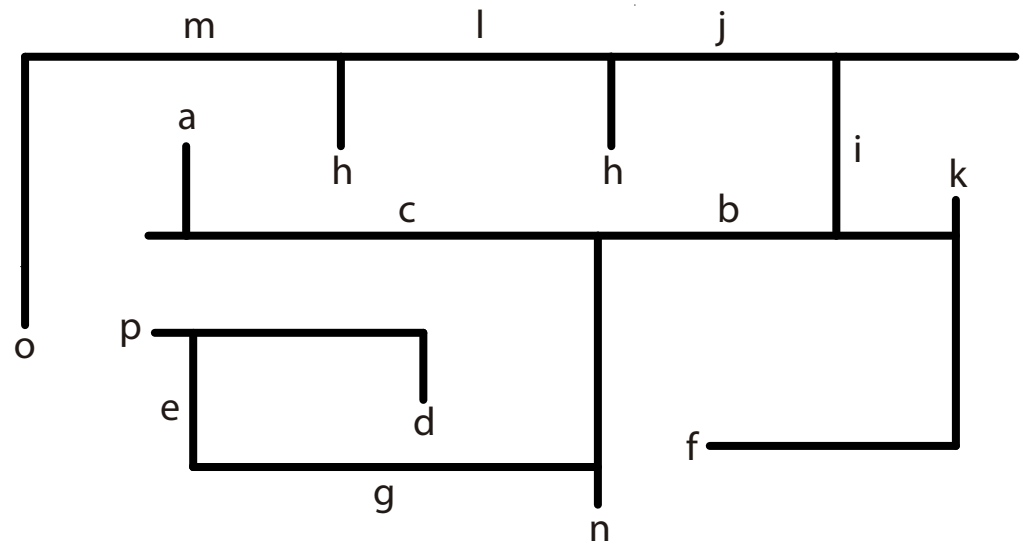
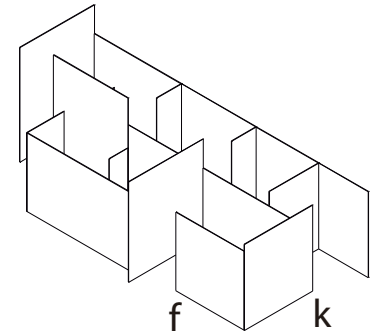
Scale: 1:50

- a: 62" x 18" (x3)
- b: 62" x 56" (x2)
- c: 62" x 100" (x3)
- d: 62" x 132" (x3)
- e: 72" x 24" (x2)
- f: 72" x 62" (x2)
- g: 72" x 108" (x3)
- h: 100" x 18"
- i: 100" x 24"

Sanctuary (1984)  
 Technical data





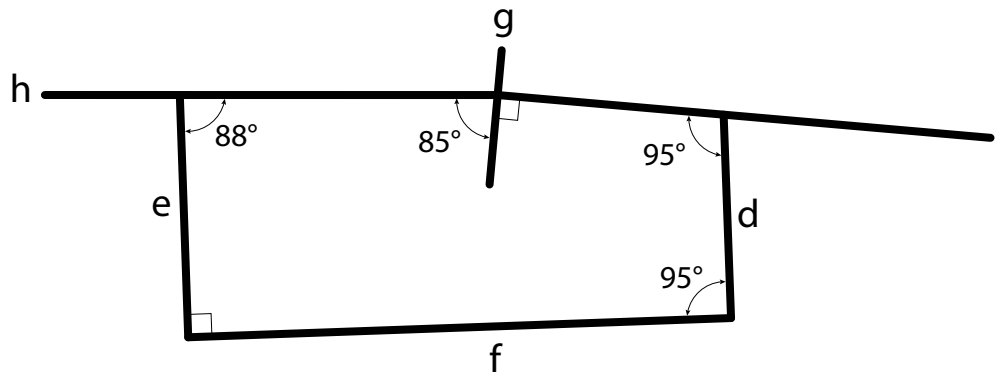
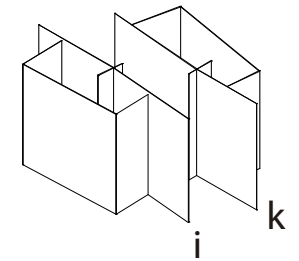
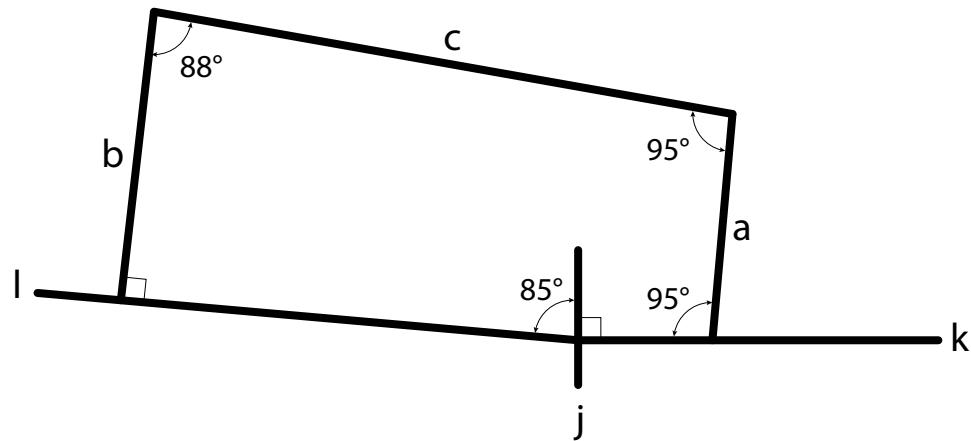


Scale: 1:50

- a: 60" x 24"
- b: 60" x 96"
- c: 60" x 120"
- d: 66" x 18"
- e: 66" x 36"
- f: 66" x 66"
- g: 66" x 108"
- h: 72" x 24"
- i: 72" x 48" (x2)
- j: 72" x 60"
- k: 72" x 66"
- l: 72" x 72"
- m: 72" x 84"
- n: 84" x 72"
- o: 96" x 72"
- p: 108" x 72"

Unrealized (1985)

Technical data

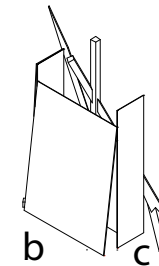
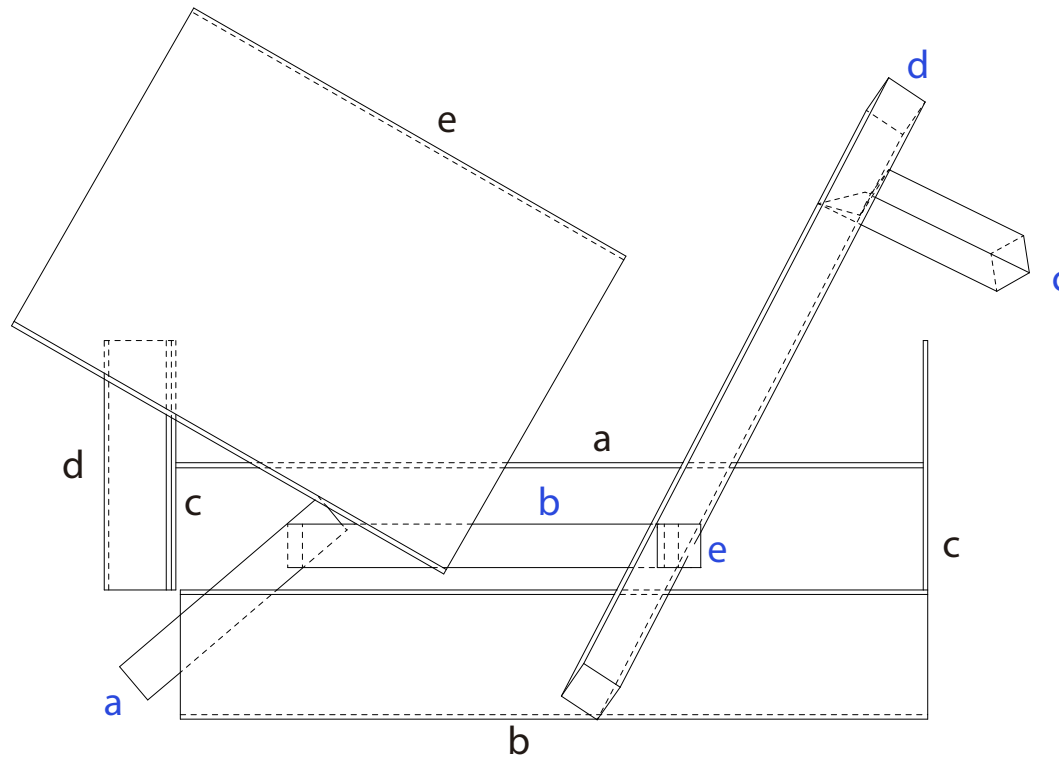


Scale: 1:25

- a: 68" x 30"
- b: 68" x 36"
- c: 68" x 78"
- d: 70" x 26"
- e: 70" x 32"
- f: 70" x 72"
- g: 72" x 18"
- h: 72" x 60"
- i: 72" x 66"
- j: 74" x 18"
- k: 74" x 48"
- l: 74" x 72"

## Invisible Cities: A City (1986)

Technical data



Scale: 1:15

glass (1/2")

a: 45" x 45"

b: 45" x 60"

c: 15" x 84" (X2)

d: 15" x 85"

e: 30" x 110"

wood (3,5" x 3,5")

a: 21"

b: 30"

c: 32"

d: 115"

e: 120"

Gasaki (1987)

Technical data